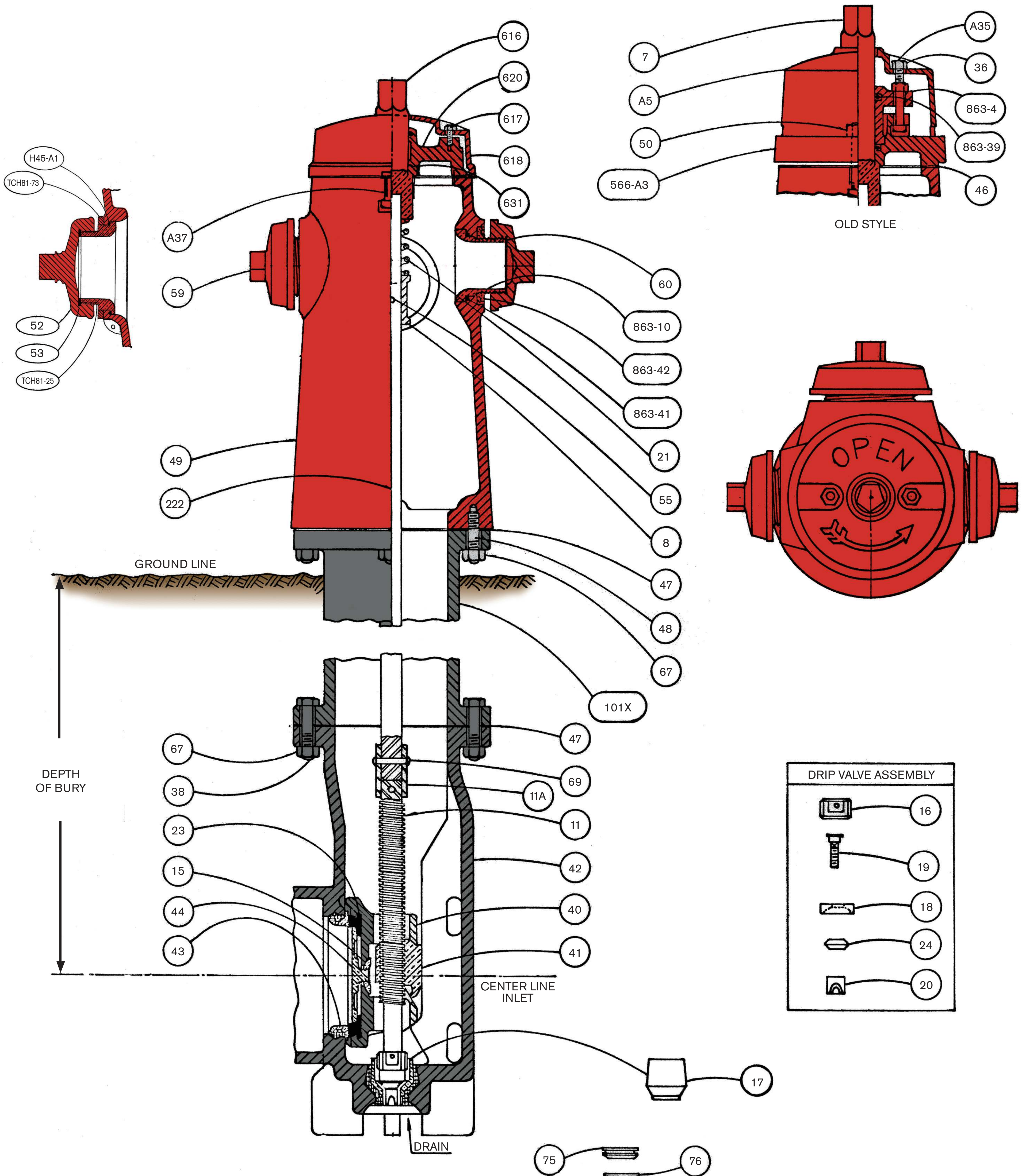


No.20 & No.20P Slide Gate Hydrant

TC **TERMINAL CITY
IRON WORKS LTD.**

Serving Western Canada for over 100 years



'NO DRAIN' DRIP VALVE WASHER &
O-RING CAN BE SUPPLIED ON REQUEST
REPLACES PART NO. 18

Part No.	Name	Part No.	Name	Part No.	Name	Part No.	Name
566-A3	Head	20	Drip Valve Nut	53	Pumper Cap Gasket	55	Square Stem To Collar Pin
863-4	Operating Stem Gland	21	Drain Action Spring	TCH81-73	Pumper Outlet Lock Ring	59	Plain Hose Outlet Cap
A5	Bonnet	23	Gate Valve Rubber	H45A1	Pumper Outlet O Ring	60	Plain Hose Outlet Cap Gasket
7	Operating Stem	24	Drip Valve Rubber	637	Extension Pipe July 93	38	Extension Bolt
8	Stem Collar	A35	Operating Stem Gland and Bonnet Bolt	638	Extension Pipe Flanges 2 Pcs	67	Extension Nut
863-10	Plain Outlet*	36	Operating Stem Gland and Bonnet Nut	43	Main Gate Seat Ring	69	Square Stem To Main Gate Scr Pin
11	Main Gate Screw	A37	Barrel To Head Bolt	44	Main Gate Seat Plate	42	Bottom End
15	Main Gate Seat Nut	863-39	Operating Stem Gland O Ring	46	Head Gasket	40	Main Gate
16	Screwed End Piece	863-41	Plain Hose Outlet O Ring	47	Extension To Barrel and Bottom End Gasket	41	Main Gate Wedge Nut
17	Drip Cup	863-42	Plain Hose Outlet Locking Ring	48	Barrel To Extension Stud	75	No Drain Drip Valve Washer
18	Drip Valve Washer	TCH81-25	Pumper Outlet	49	Barrel	76	No Drain Washer O Ring
19	Drip Valve Bolt	52	Pumper Cap	50	Nut	101X	No.20 Hydrant Extension
						222	Square Stem
						11A	Square Stem To Scr Coupling
						616	Operating Stem
						617	Bolt Hex Hd
						618	Bonnet
						620	Head
						631	O Ring Main Operating Stem

TYPICAL 6" ELBOW INLET JOINTS
MECH JOINT | PUSH-ON | FLANGED

Drawing D515M Revised 05/09

604.513.3800 • 250.245.0544 • 403.253.7348
Langley, BC | Nanaimo, BC | Calgary, AB