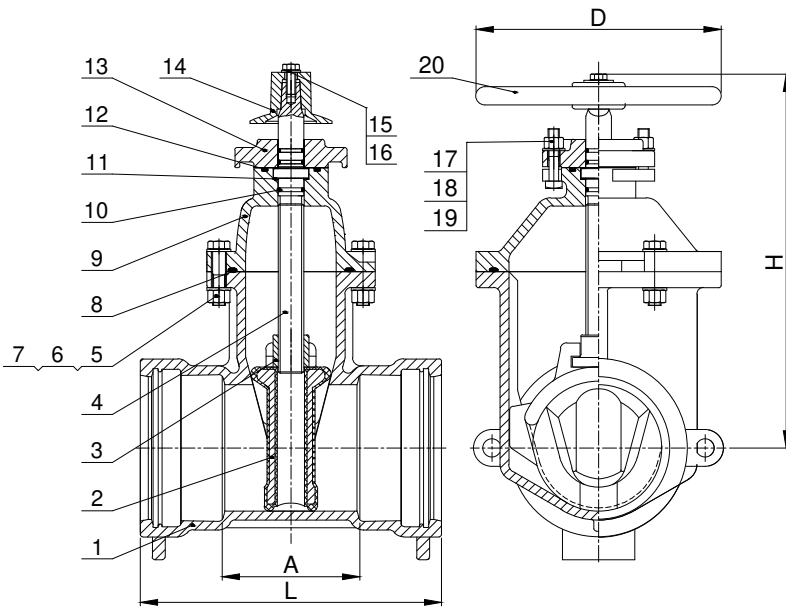




Terminal City Iron Works Ltd.



Dimensions

Size	4"	6"	8"	10"	12"
L	14.0"	15.0"	18.0"	18.5"	18.5"
H	15.3"	18.5"	22.5"	26.0"	30.5"
D	10.0"	12.0"	14.0"	17.5"	17.5"
A	6.0"	7.0"	9.0"	9.5"	8.5"

Material Specifications

Item	Description	Material	ASTM Spec.
1	Body	Ductile Iron	A536 65-45-12
2	Wedge	EPDM Encapsulated Ductile Iron	A536 65-45-12
3	Wedge Nut	Bronze	B148 C95200
4	Stem	Stainless Steel	A276 UNS S30400
5	Hexagon Head Bolt	Stainless Steel	AISI 304
6	Washer	Stainless Steel	AISI 304
7	Hexagon Nut	Stainless Steel	AISI 316
8	O-ring	Rubber	NBR
9	Bonnet	Ductile Iron	A536 65-45-12
10	O-ring	Rubber	NBR
11	Thrust Washer	Copper Alloy	B124 C37700
12	O-ring	Rubber	NBR
13	Gland	Ductile Iron	A536 65-45-12
14	Operating Nut	Ductile Iron	A536 65-45-12
15	Hexagon Head Bolt	Stainless Steel	AISI 304
16	Washer	Stainless Steel	AISI 304
17	Hexagon Nut	Stainless Steel	AISI 316
18	Washer	Stainless Steel	AISI 304
19	Square Head Bolt	Stainless Steel	AISI 304
20	Handwheel	Ductile Iron	A536 65-45-12



Terminal City Iron Works Ltd.

AWWA C509



Assembly Drawing NRS Gate Valve

SIZE DRG NO.

3100 Series PO x PO

REV

SCALE :

FUSION BONDED EPOXY-NSF 61-AWWA C550