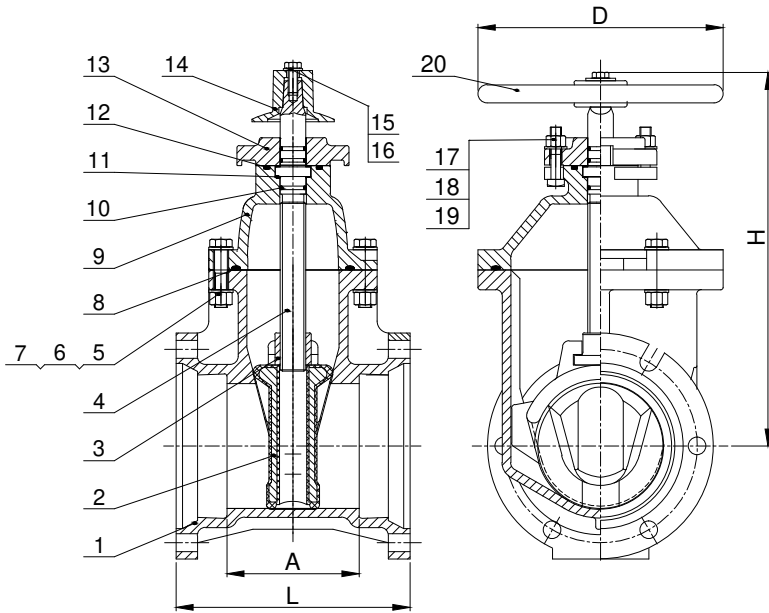




Terminal City Iron Works Ltd.



Dimensions

| Size | 4" | 6" | 8" | 10" | 12" |
|------|-------|-------|-------|-------|-------|
| L | 10.0" | 11.5" | 12.5" | 14.8" | 15.0" |
| H | 15.3" | 18.5" | 22.5" | 26.0" | 30.5" |
| D | 10.0" | 12.0" | 14.0" | 17.5" | 17.5" |
| A | 5.0" | 6.5" | 7.5" | 10.0" | 10.0" |

Material Specifications

| Item | Description | Material | ASTM Spec. |
|------|-------------------|--------------------------------|-----------------|
| 1 | Body | Ductile Iron | A536 65-45-12 |
| 2 | Wedge | EPDM Encapsulated Ductile Iron | A536 65-45-12 |
| 3 | Wedge Nut | Bronze | B148 C95200 |
| 4 | Stem | Stainless Steel | A276 UNS S30400 |
| 5 | Hexagon Head Bolt | Stainless Steel | AISI 304 |
| 6 | Washer | Stainless Steel | AISI 304 |
| 7 | Hexagon Nut | Stainless Steel | AISI 316 |
| 8 | O-ring | Rubber | NBR |
| 9 | Bonnet | Ductile Iron | A536 65-45-12 |
| 10 | O-ring | Rubber | NBR |
| 11 | Thrust Washer | Copper Alloy | B124 C37700 |
| 12 | O-ring | Rubber | NBR |
| 13 | Gland | Ductile Iron | A536 65-45-12 |
| 14 | Operating Nut | Ductile Iron | A536 65-45-12 |
| 15 | Hexagon Head Bolt | Stainless Steel | AISI 304 |
| 16 | Washer | Stainless Steel | AISI 304 |
| 17 | Hexagon Nut | Stainless Steel | AISI 316 |
| 18 | Washer | Stainless Steel | AISI 304 |
| 19 | Square Head Bolt | Stainless Steel | AISI 304 |
| 20 | Handwheel | Ductile Iron | A536 65-45-12 |



Terminal City Iron Works Ltd.

AWWA C509



Assembly Drawing NRS Gate Valve

SIZE DRG NO.

3300 Series MJ x MJ

REV

SCALE :

FUSION BONDED EPOXY—NSF 61—AWWA C550