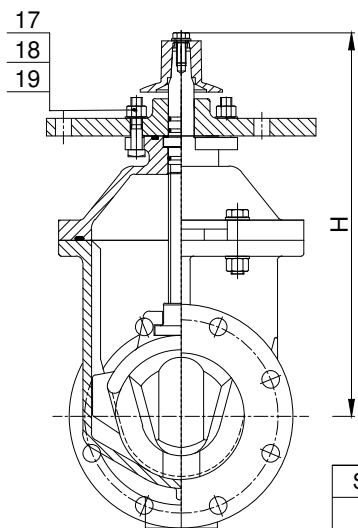
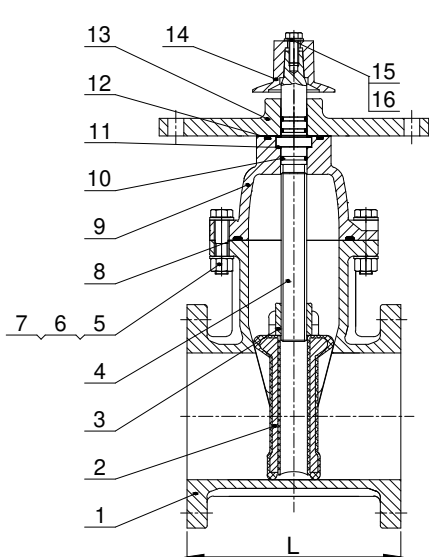




# Terminal City Iron Works Ltd.



Dimensions

Size	4"	6"	8"	10"	12"
L	9.0"	10.5"	11.5"	13.0"	14.0"
H	16"	19"	23"	26"	31"

## Material Specifications

Item	Description	Material	ASTM Spec.
1	Body	Ductile Iron	A536 65-45-12
2	Wedge	EPDM Encapsulated Ductile Iron	A536 65-45-12
3	Wedge Nut	Bronze	B148 C95200
4	Stem	Stainless Steel	A276 Type 304
5	Hexagon Head Bolt	Stainless Steel	A276 Type 304
6	Washer	Stainless Steel	A276 Type 304
7	Hexagon Nut	Stainless Steel	A276 Type 316
8	O-ring	Rubber	D2000, NBR
9	Bonnet	Ductile Iron	A536 65-45-12
10	O-ring	Rubber	D2000, NBR
11	Thrust Washer	Copper Alloy	B124 C37700
12	O-ring	Rubber	D2000, NBR
13	Indicator Plate	Ductile Iron	A536 65-45-12
14	Operating Nut	Ductile Iron	A536 65-45-12
15	Hexagon Head Bolt	Stainless Steel	A276 Type 304
16	Washer	Stainless Steel	A276 Type 304
17	Hexagon Nut	Stainless Steel	A276 Type 316
18	Washer	Stainless Steel	A276 Type 304
19	Square Head Bolt	Stainless Steel	A276 Type 304



Terminal City Iron Works Ltd.

AWWA C509



## Assembly Drawing NRS Gate Valve(4"-12")

SIZE

DRG NO.

3500 Series FL x FL With Indicator Plate

REV

SCALE :

FUSION BONDED EPOXY-NSF 61-AWWA C550