



C509 NRS Resilient Wedge Gate Valve Thread X Thread Ends

MODEL 3700

Specifications

- Manufactured to ANSI / AWWA C509 Standard
- Threaded Ends -National Pipe Thread(NPT). Other threads types available.
- 2" Square Operating Nut or Hand Wheel (Optional).
- EPDM Fully Encapsulated Ductile Iron Wedge.
- High Strength Ductile-Iron Construction.
- Stainless Steel Stem.

- UL/ULC listed for size 2.5"-3".
- FM approved.

Working Pressure and Temperature

- 300 psi rated @ -10°C to 82°C.

Corrosion Protection

- Fusion bonded coating interior and exterior meet or exceed all applicable of AWWA C550 standard.

Options

- ASTM B150 or other standard bronze stem.
- ASTM A276 Grade 316 stem.
- 316 Stainless steel fasteners.
- Post flange.
- Handwheel

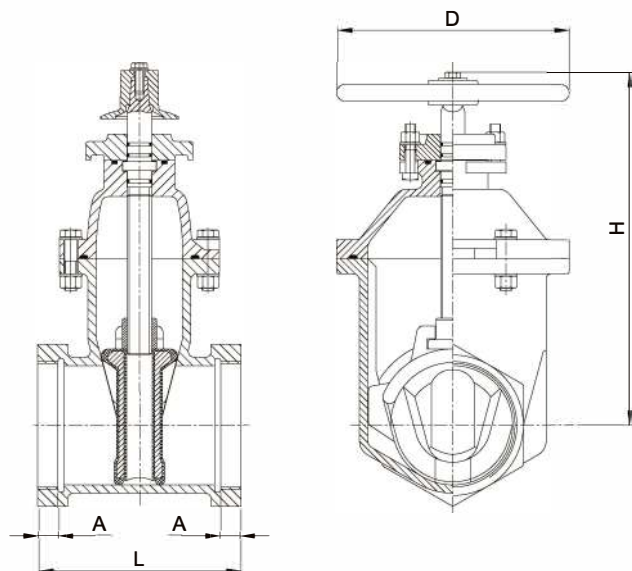
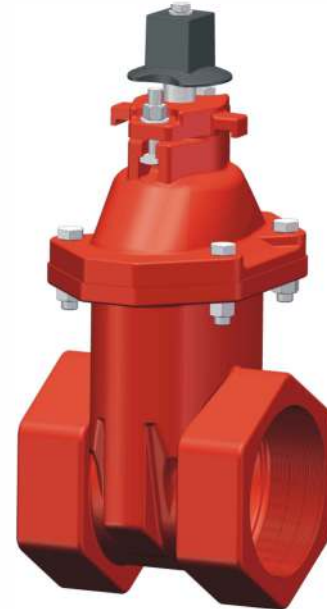
Material Specification

Part	Material	ASTM Specification
Body	Ductile Iron	A536 Grade 65-45-12
Wedge	EPDM Fully Encapsulated Ductile Iron Wedge	
Wedge Nut	Bronze	B148 C95200
Bonnet	Ductile Iron	A536 Grade 65-45-12
Stem	Stainless Steel	A276 Grade 304
Gland	Ductile Iron	A536 Grade 65-45-12
Operating Nut	Ductile Iron	A536 Grade 65-45-12
Post Flange	Ductile Iron	A536 Grade 65-45-12
Fasteners	Stainless Steel	F593 Grade 304
Body/Bonnet Gasket	NBR	D2000

Main Dimensions (mm/inch)

Size	2	2.5	3
L	178/7.0	190/7.5	203/8.0
A	23/0.9	28/1.1	31/1.2
H	260/10.2	275/10.8	335/13.2
D	185/7.25	185/7.25	255/10.0

Schematic



Notes

- Designs, materials and specifications shown are subject to change without notice due to the continuous development of our products.

