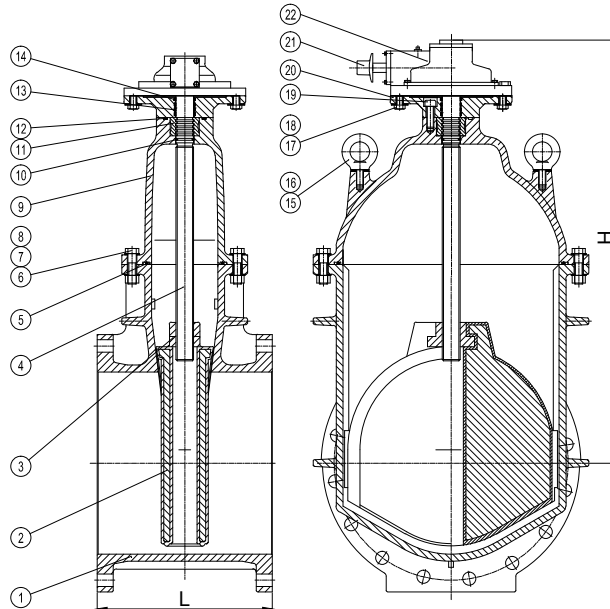




# Terminal City Iron Works Ltd.



### Dimensions

| Size | 18"   | 20"   | 24"   |
|------|-------|-------|-------|
| L    | 17.0" | 18.0" | 20.0" |
| H    | 46.5" | 49.5" | 55.0" |

### Material Specifications

| Item | Description      | Material                       | ASTM Spec.      |
|------|------------------|--------------------------------|-----------------|
| 1    | Body             | Ductile Iron                   | A536 65-45-12   |
| 2    | Wedge            | EPDM Encapsulated Ductile Iron | A536 65-45-12   |
| 3    | Wedge Nut        | Bronze                         | B148 C95200     |
| 4    | Stem             | Stainless Steel                | A276 UNS S30400 |
| 5    | O-Ring           | Rubber                         | NBR             |
| 6    | Bolt             | Stainless Steel                | AISI 304        |
| 7    | Nut              | Stainless Steel                | AISI 316        |
| 8    | Washer           | Stainless Steel                | AISI 304        |
| 9    | Bonnet           | Ductile Iron                   | A536 65-45-12   |
| 10   | O-Ring           | Rubber                         | NBR             |
| 11   | Thrust Collar    | Bronze                         | B148 C95200     |
| 12   | O-Ring           | Rubber                         | NBR             |
| 13   | O-Ring           | Rubber                         | NBR             |
| 14   | O-Ring           | Rubber                         | NBR             |
| 15   | Lifting Bolt     | Stainless Steel                | AISI 304        |
| 16   | Washer           | Stainless Steel                | AISI 304        |
| 17   | Bolt             | Stainless Steel                | AISI 304        |
| 18   | Washer           | Stainless Steel                | AISI 304        |
| 19   | Bolt             | Stainless Steel                | AISI 304        |
| 20   | Mounting Flange  | Ductile Iron                   | A536 65-45-12   |
| 21   | 2" Operating Nut | Ductile Iron                   | A536 65-45-12   |
| 22   | Bevel Gear       |                                |                 |



Terminal City Iron Works Ltd.

AWWA C515



## Assembly Drawing NRS Gate Valve

DRG NO.

4500 Series FL X FL (18"-24")

REV

FUSION BONDED EPOXY-NSF 61-AWWA C550