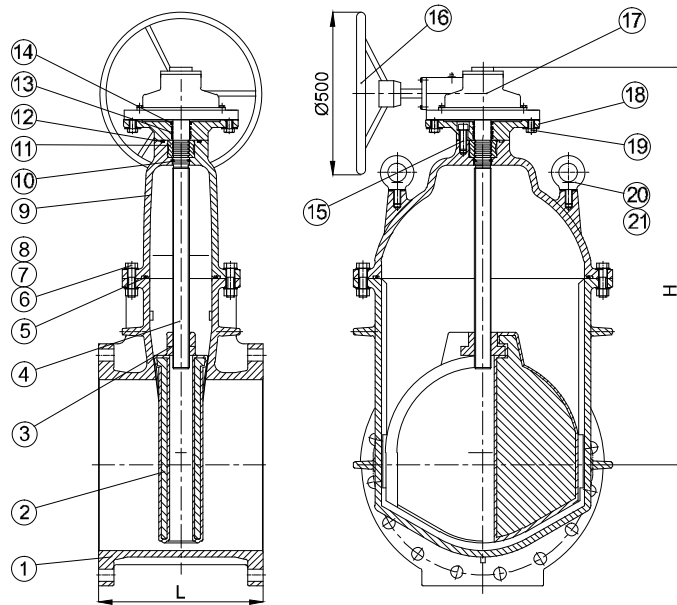




Terminal City Iron Works Ltd.



Dimensions

Size	18"	20"	24"
L	17.0"	18.0"	20.0"
H	46.5"	49.5"	55.0"

Material Specifications

Item	Description	Material	ASTM Spec.
1	Body	Ductile Iron	A536 65-45-12
2	Wedge	EPDM Encapsulated Ductile Iron	A536 65-45-12
3	Wedge Nut	Bronze	B148 C95200
4	Stem	Stainless Steel	A276 UNS S30400
5	O-Ring	Rubber	NBR
6, 7, 8	Bolt / Nut / Washer	Stainless Steel	AISI 304 / AISI 316 / AISI 304
9	Bonnet	Ductile Iron	A536 65-45-12
10	O-Ring	Rubber	NBR
11	Thrust Collar	Bronze	B148 C95200
12	O-Ring	Rubber	NBR
13	O-Ring	Rubber	NBR
14	Dust Ring	Rubber	NBR
15	Bolt	Stainless Steel	AISI 304
16	Handwheel	Ductile Iron	A536 65-45-12
17	Bevel Gear		
18	Mounting Flange	Ductile Iron	A536 65-45-12
19	Bolt	Stainless Steel	AISI 304
20	Lifting Bolt	Stainless Steel	AISI 304
21	Washer	Stainless Steel	AISI 304



Terminal City Iron Works Ltd.

AWWA C515

Assembly Drawing NRS Gate Valve

DRG NO.

4500 Series FL X FL (18"-24")

REV

FUSION BONDED EPOXY-NSF 61-AWWA C550