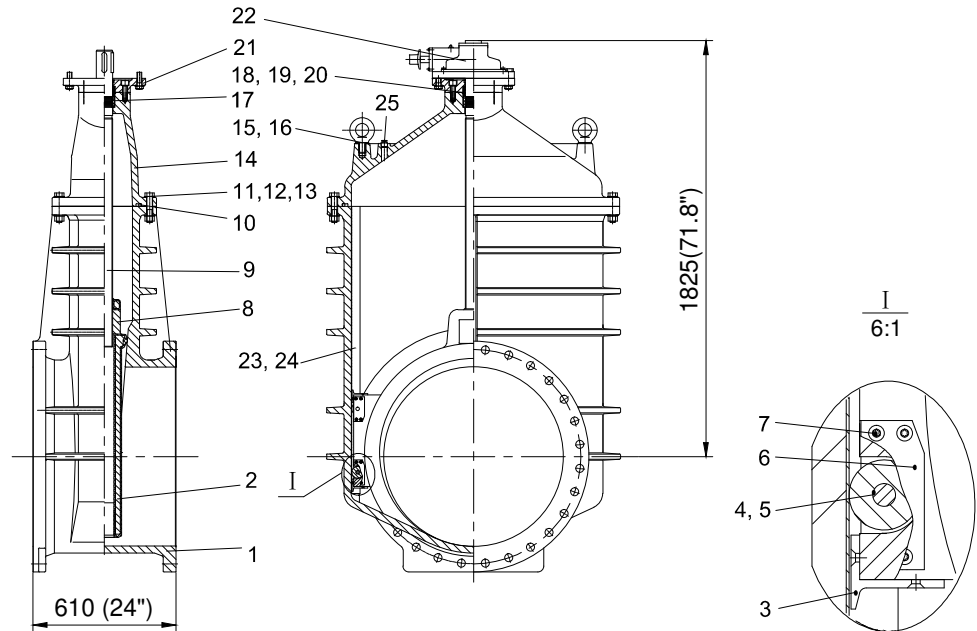




Terminal City Iron Works Ltd.



Material Specifications

Item	Description	Material	ASTM Spec.
1	Body	Ductile Iron	A536 65-45-12
2	Wedge	EPDM Encapsulated Ductile Iron	A536 65-45-12
3	Scraper	Bronze	B148 C95200
4	Roller	Stainless Steel	A276 Type 316SS
5	Roller Shaft	Stainless Steel	A276 Type 316SS
6	Roller Plate	Stainless Steel	F593 Type 316SS
7	Plate Screw	Stainless Steel	A276 Type 316SS
8	Wedge Nut	Bronze	B148 C95200
9	Stem	Stainless Steel	A276 Type 304SS
10	Gasket	Rubber	D2000 EPDM
11	Bolts	Stainless Steel	A276 Type 304SS
12	Washer	Stainless Steel	A276 Type 304SS
13	Nut	Stainless Steel	A276 Type 316SS
14	Bonnet	Ductile Iron	A536 65-45-12
15	Hook Bolt	Carbon Steel	A307 Grade B
16	Washer	Stainless Steel	A276 Type 304SS
17	Thrust Collar	Bronze	B148 C95200
18	Gland Bush	Brass	B16 C36000
19	Gland O-Ring	Rubber	D2000 NBR
20	Bush O-Ring	Rubber	D2000 NBR
21	Gear Adapter	Ductile Iron	A536 65-45-12
22	Bevel Gear	Assembly	
23	Track	Stainless Steel	A276 Type 304SS
24	Track Screw	Stainless Steel	A276 Type 304SS
25	Plug	Brass	B16 C36000



Terminal City Iron Works Ltd.

AWWA C515

Assembly Drawing NRS Gate Valve

DRG NO.

4500 Series FL X FL (30")

REV

FUSION BONDED EPOXY COATED