



C515 OS&Y Resilient Wedge Gate Valve Flanged Ends

MODEL 4600

Specifications

- Meet or exceed the requirements of AWWA C515 standard.
- Full waterway.
- EPDM Fully Encapsulated Ductile Iron Wedge.
- Bevel Gear Operated.
- Face to face dimension complies with ASME B16.10 and EN558 series 3.
- Flange and drilling complies with ASTM B16.1 Class 125.

Working Pressure and Temperature

- 250 psi rated @ -10°C to 82°C for 14" to 24 AWWA
-

Corrosion Protection

- Fusion bonded coating interior and exterior meet or exceed all applicable of AWWA C550 standard.

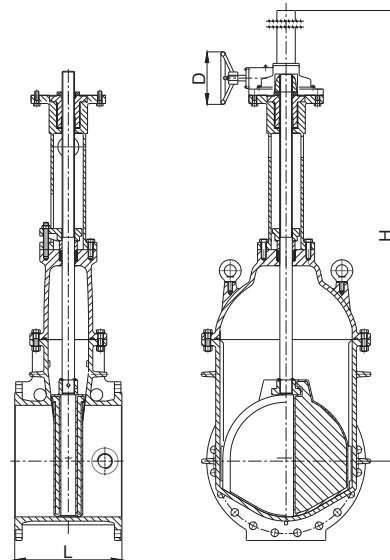
Options

- ASTM B150 or other standard bronze stem.
- ASTM A276 Type 316 stem.
- 316 Stainless steel fasteners.

Material Specification

Part	Material	ASTM Specification
Body	Ductile Iron	A536 Grade 65-45-12
Wedge	EPDM Fully Encapsulated Ductile Iron	
Wedge Nut	Bronze	B148 C95200
Bonnet	Ductile Iron	A536 Grade 65-45-12
Stem	Stainless Steel	A276 Grade 304
Stem Nut	Bronze	B148 C95200
Packing	Graphite	Non-Asbestos
Gland	Ductile Iron	A536 Grade 65-45-12
Packing Bushing	Brass	B16 C83600
Yoke	Ductile Iron	A536 Grade 65-45-12
Body/Bonnet Gasket	NBR	D2000
Fasteners	Stainless Steel	F593 Grade 304
Handwheel	Ductile Iron	A536 Grade 65-45-12

Schematic



Main Dimensions (mm/inch)

Size	14	16	18	20	24
L	381/15.0	406/16.0	432/17.0	457/18.0	508/20.0
H (OPEN)	1632/64.2	1849/72.8	2056/80.9	2293/90.3	2618/103.0
D	500/19.7	500/19.7	500/19.7	500/19.7	500/19.7

Notes

- Designs, materials and specifications shown are subject to change without notice due to the continuous development of our products.

