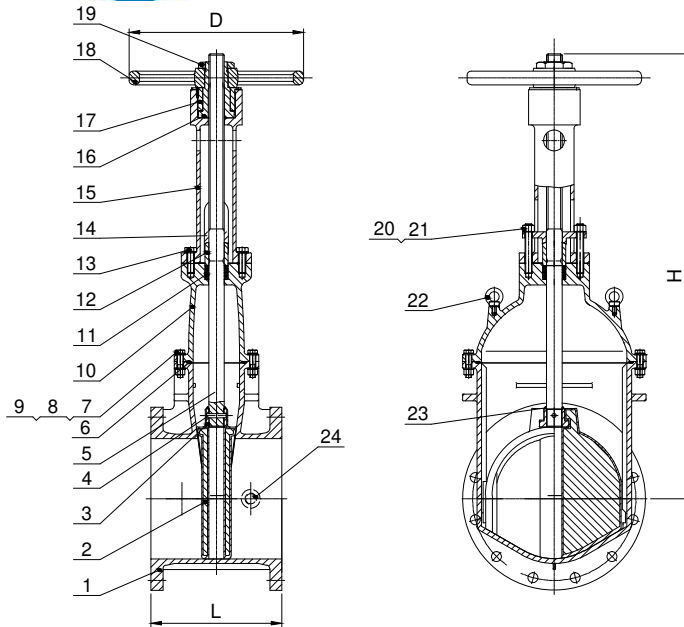




Terminal City Iron Works Ltd.



Dimensions

Size	14"	16"	18"	20"	24"
L	15"	16"	17"	18"	20"
H	51"	56.9"	61.8"	69.9"	78.74"
D	22"	22"	24"	24"	30"

Note:

- Working Pressure:
250 psi for 14"-16"-18"
200 psi for 24"
250psi for 20" gate valve, OS&Y type ,AWWA C515; but not UL/FM;
- 18" to 24" gate valve, OS&Y type, will be handle operater, not gear operater.

Material Specifications

Item	Description	Material	ASTM Spec.
1	Body	Ductile Iron	A536 65-45-12
2	Wedge	EPDM Encapsulated Ductile Iron	A536 65-45-12
3	Wedge Nut	Bronze	C95200
4	Pin	Stainless Steel	AISI 304
5	Stem	Stainless Steel	A276 UNS S30400
6	O-ring	Rubber	NBR
7/8/9	Bolt/Washer/Nut	Stainless Steel	AISI 304 (Nut AISI 316)
10	Bonnet	Ductile Iron	A536 65-45-12
11	Packing	Graphite	Graphite
12	Packing gland set	Copper Alloy	B124 C37700
13	Bolt	Stainless Steel	AISI 304
14	Gland	Ductile Iron	A536 65-45-12
15	Yoke	Ductile Iron	A536 65-45-12
16	Stem Nut	Bronze	C95200
17	Nut	Ductile Iron	A536 65-45-12
18	Handwell	Ductile Iron	A536 65-45-12
19	Handwell Nut	Ductile Iron	A536 65-45-12
20/21	Bolt/Nut	Stainless Steel	AISI 304 (Nut AISI 316)
22	Lifting bolt/Washer	Stainless Steel	AISI 304
23	O-ring	Rubber	NBR
24	Plug	Malleable Iron	



Terminal City Iron Works Ltd.

AWWA C515



Assembly Drawing OS&Y Gate Valve

DRG NO.

4600 Series OS&Y FL x FL(14" -24")

REV

FUSION BONDED EPOXY—NSF 61—AWWA C550