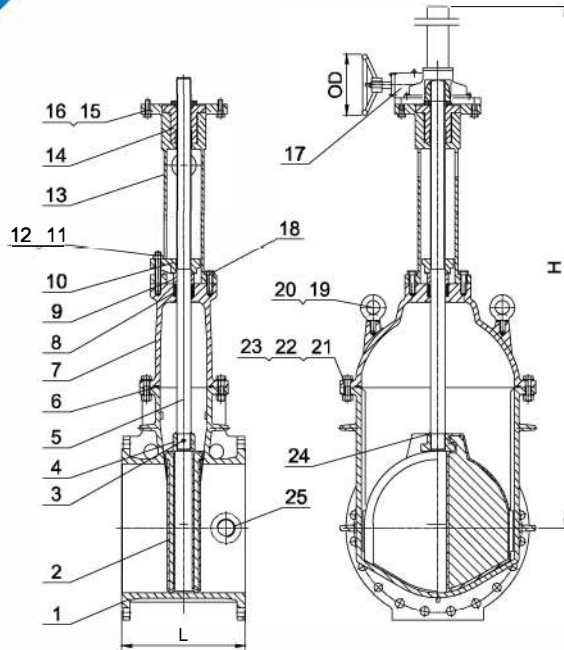




# Terminal City Iron Works Ltd.



### Dimensions

Size	18"	20"	24"
L	17"	18"	20"
H(open)	80.9"	90.3"	103.0"
OD	19.69"	19.69"	19.69"

### Material Specifications

Item	Description	Material	ASTM Spec.
1	Body	Ductile Iron	A536 65-45-12
2	Wedge	EPDM Encapsulated Ductile Iron	A536 65-45-12
3	Pin	Stainless Steel	AISI 304
4	Wedge Nut	Bronze	B148 C95200
5	Stem	Stainless Steel	AISI 304
6	O-ring	Rubber	NBR
7	Bonnet	Ductile Iron	A536 65-45-12
8	Packing	Graphite	Non-Asbestos
9	Packing Bushing	Copper Alloy	
10	Gland	Ductile Iron	A536 65-45-12
11/12	Stud/Nut	Stainless Steel	AISI 304/ AISI 316
13	Yoke	Ductile Iron	A536 65-45-12
14	Stem Nut	Bronze	B148 C95200
15/16	Bolt/Washer	Stainless Steel	AISI 304
17	Bevel Gear	Assembly	
18	Bolt	Stainless Steel	AISI 304
19/20	Lifting bolt/Washer	Stainless Steel	AISI 304
21/22/23	Bolt/Washer/Nut	Stainless Steel	AISI 304/AISI 304/AISI 316
24	O-ring	Rubber	NBR
25	Plug	Malleable Iron	

C/W Bevel Gear



Terminal City Iron Works Ltd.

AWWA C515

Assembly Drawing OS&Y Gate Valve

DRG NO.

4600 Series OS&Y FL x FL (18"-24")

REV

A

FUSION BONDED EPOXY-NSF 61-AWWA C550