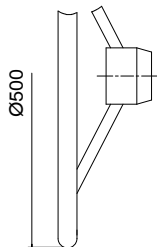


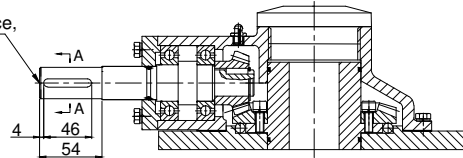


Terminal City Iron Works Ltd.

FIG.BGN-Bevel Gearbox for NRS Gate Valves



Tapping M12*25 on this face, depth is 35



A-A
2:1

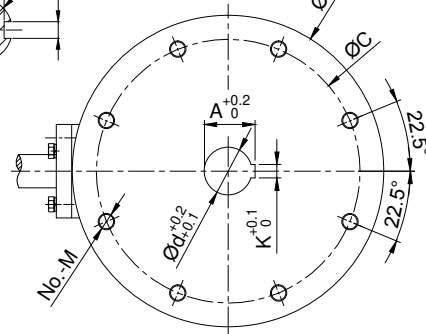
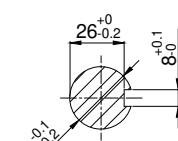


Fig.No	BGN-3					BGN-4	
SIZE	14"	16"	18"	20"	24"		
D	300	300	300	350	350		
NO.-M	8-M16	8-M16	8-M16	8-M20	8-M20		
C	Ø254	Ø254	Ø254	Ø298	Ø298		
d	36	40	48	50	58		
A	39.3	43.3	51.8	53.8	62.3		
K	10	12	14	14	16		
Ratio	3:1			4:1			
Output Torque Max.(N.m)	1350			3100			

Notes:

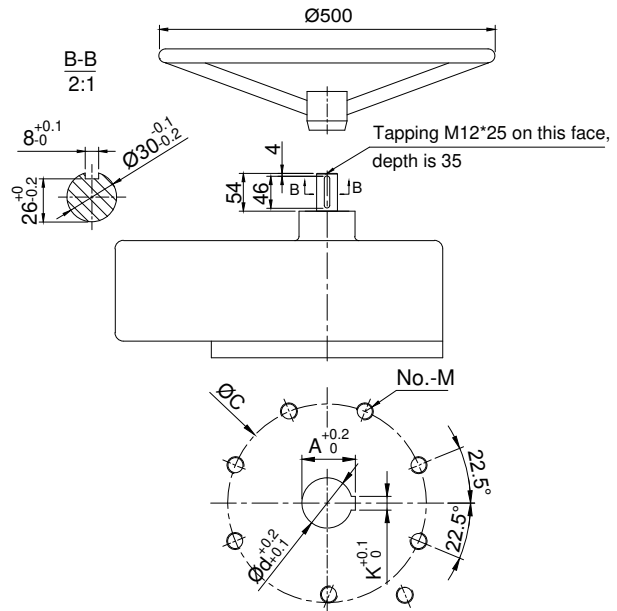
- The input shaft dimension of gearbox is the uniform. Handwheel and spindle cap can use those dimensions.
- For spindle cap to be special, the external square 2". The internal circle hole is fitted to input shaft.

FIG.SGN-Spur Gearbox for NRS Gate Valves

Fig.No	SGN-4.1					SGN-6.4	
SIZE	14"	16"	18"	20"	24"		
D	300	300	300	350	350		
NO.-M	8-M16	8-M16	8-M16	8-M20	8-M20		
C	Ø254	Ø254	Ø254	Ø298	Ø298		
d	36	40	48	50	58		
A	39.3	43.3	51.8	53.8	62.3		
K	10	12	14	14	16		
Ratio	4.1:1			6.4:1			
Output Torque Max.(N.m)	1350			3100			

Notes:

- The input shaft dimension of gearbox is the uniform. Handwheel and spindle cap can use those dimensions.
- For spindle cap to be special, the external square 2". The internal circle hole is fitted to input shaft.



Terminal City Iron Works Ltd.

Bevel and Spur Gearbox

SIZE DRG NO.

REV

SCALE :