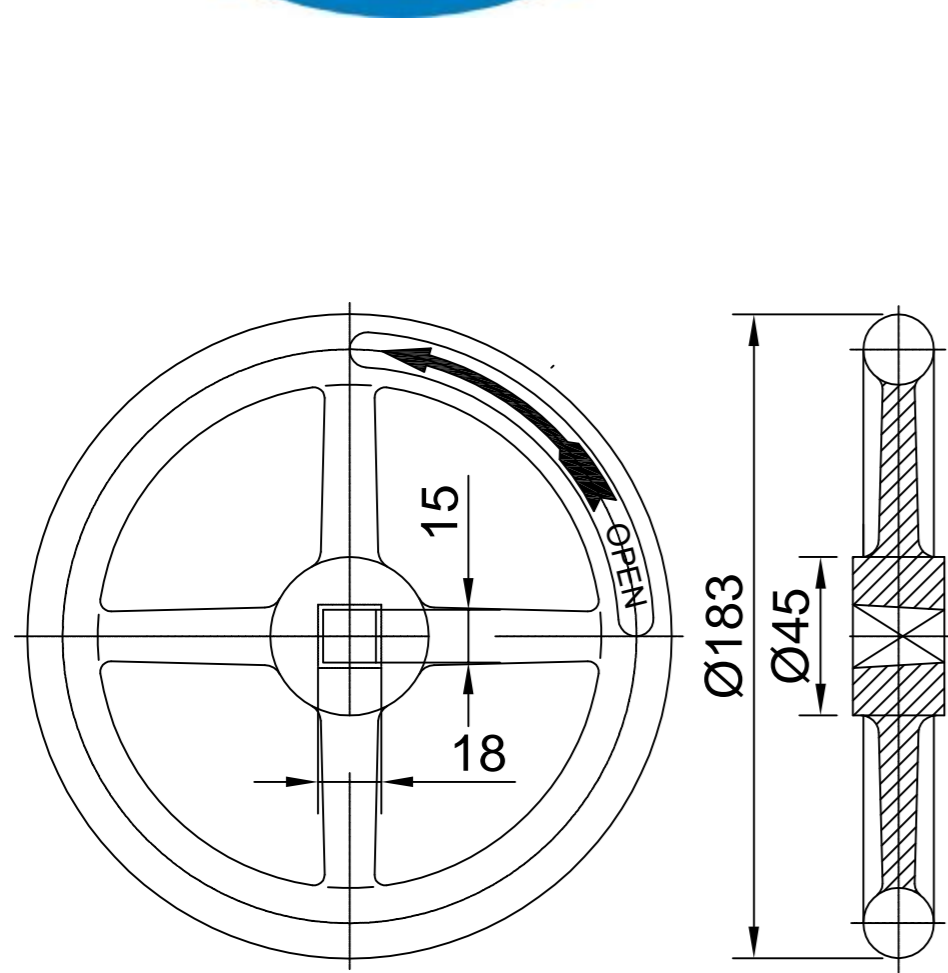
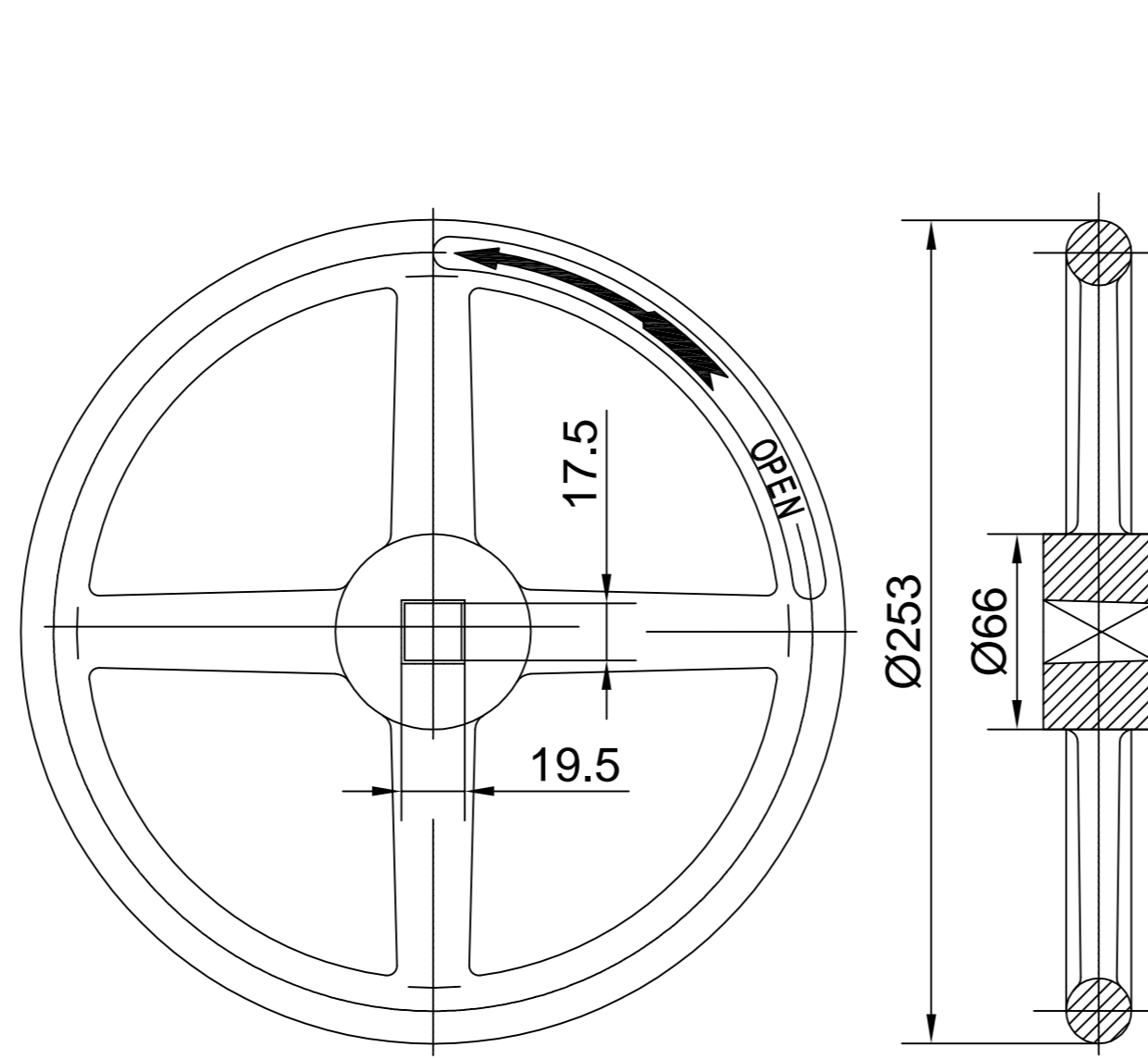


Terminal City Iron Works Ltd.

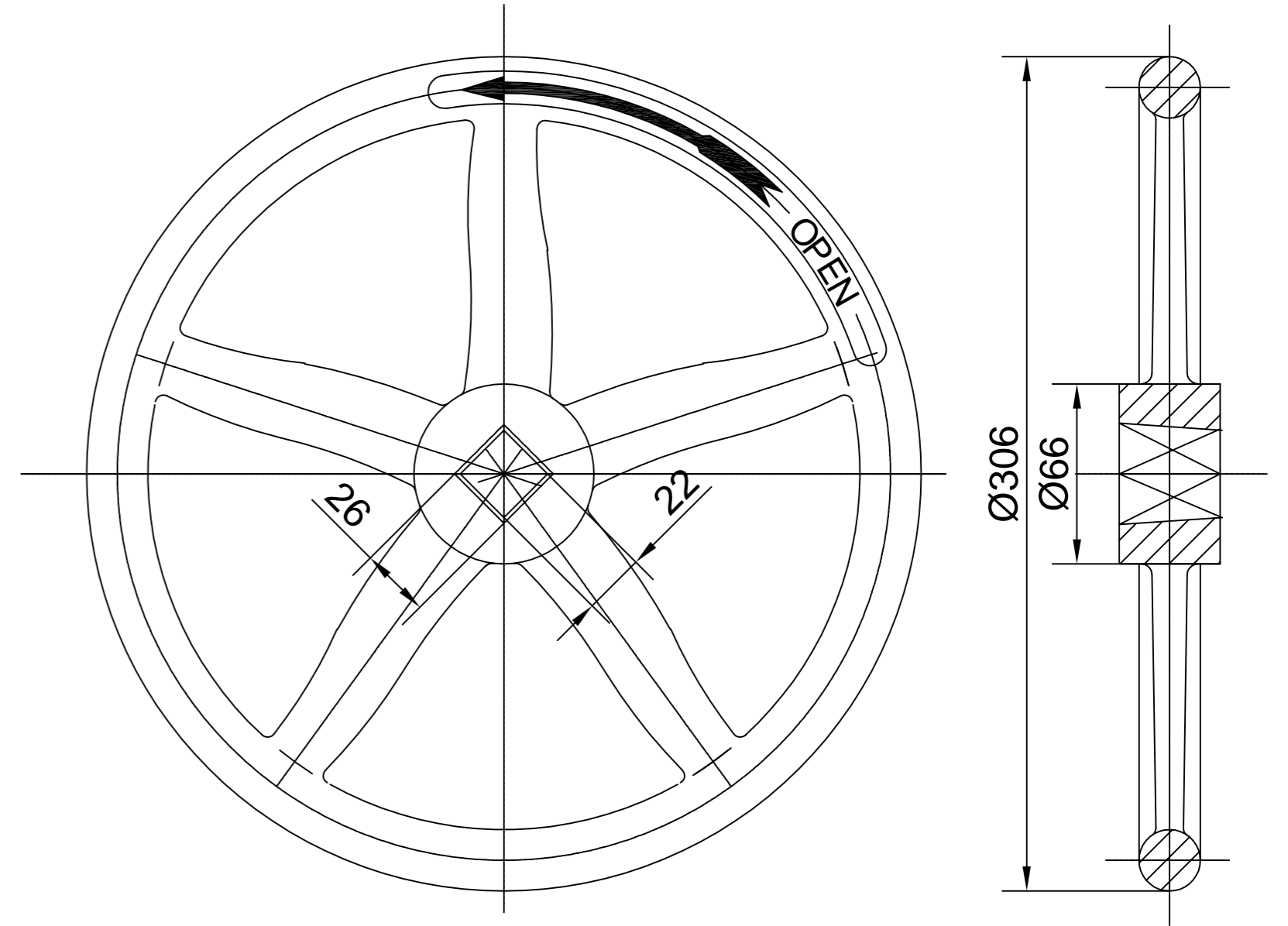
#3 - 9494 198TH STREET, LANGLE, BC V1M 3C8
 LANGLEY TEL:604-513-3800 FAX:604-513-3811
 CASSIDY TEL:250-245-0544 FAX:250-245-5135
 CALGARY TEL:403-253-7348 FAX:403-255-0690



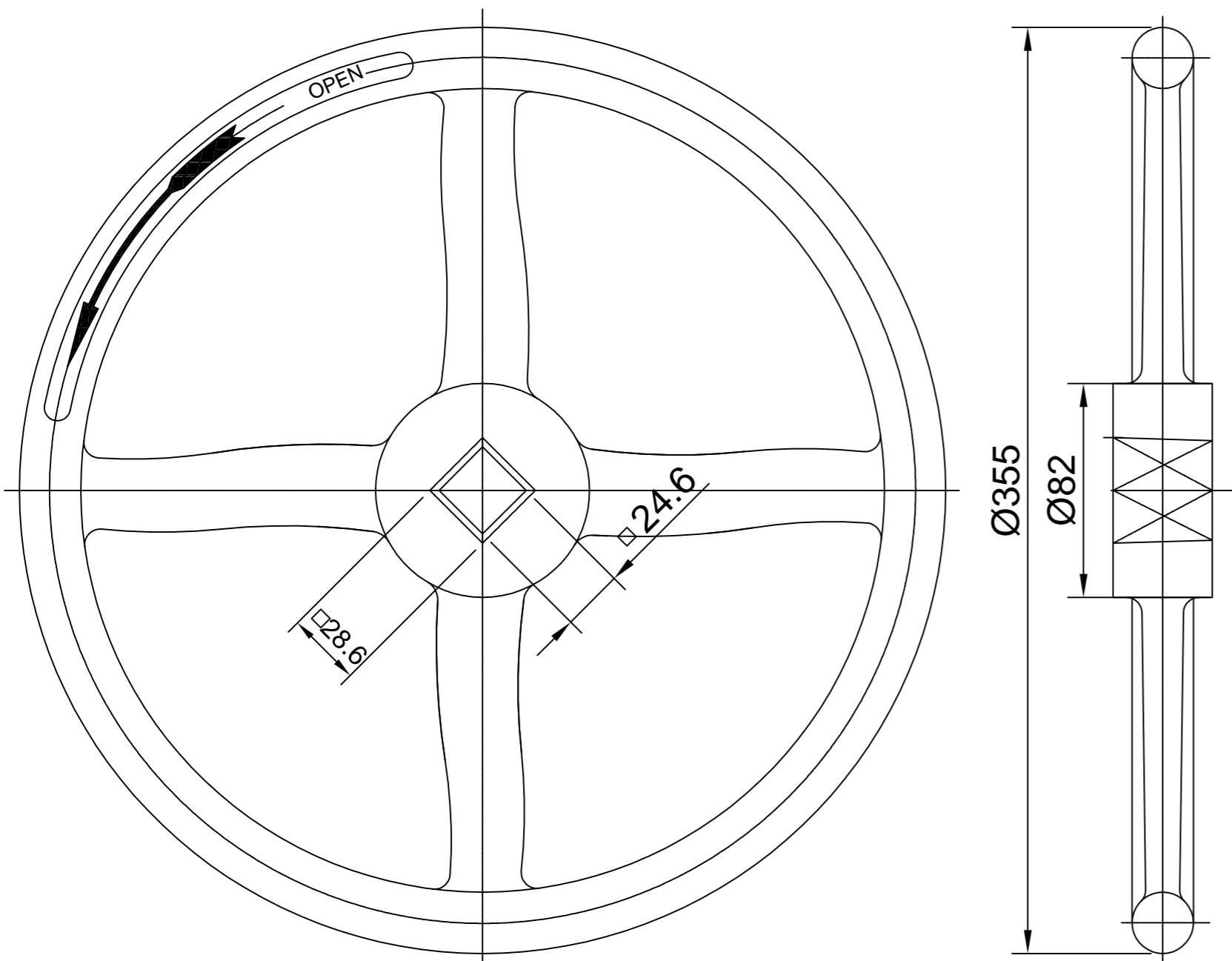
For size 2"-50mm & 2.5"- 65mm



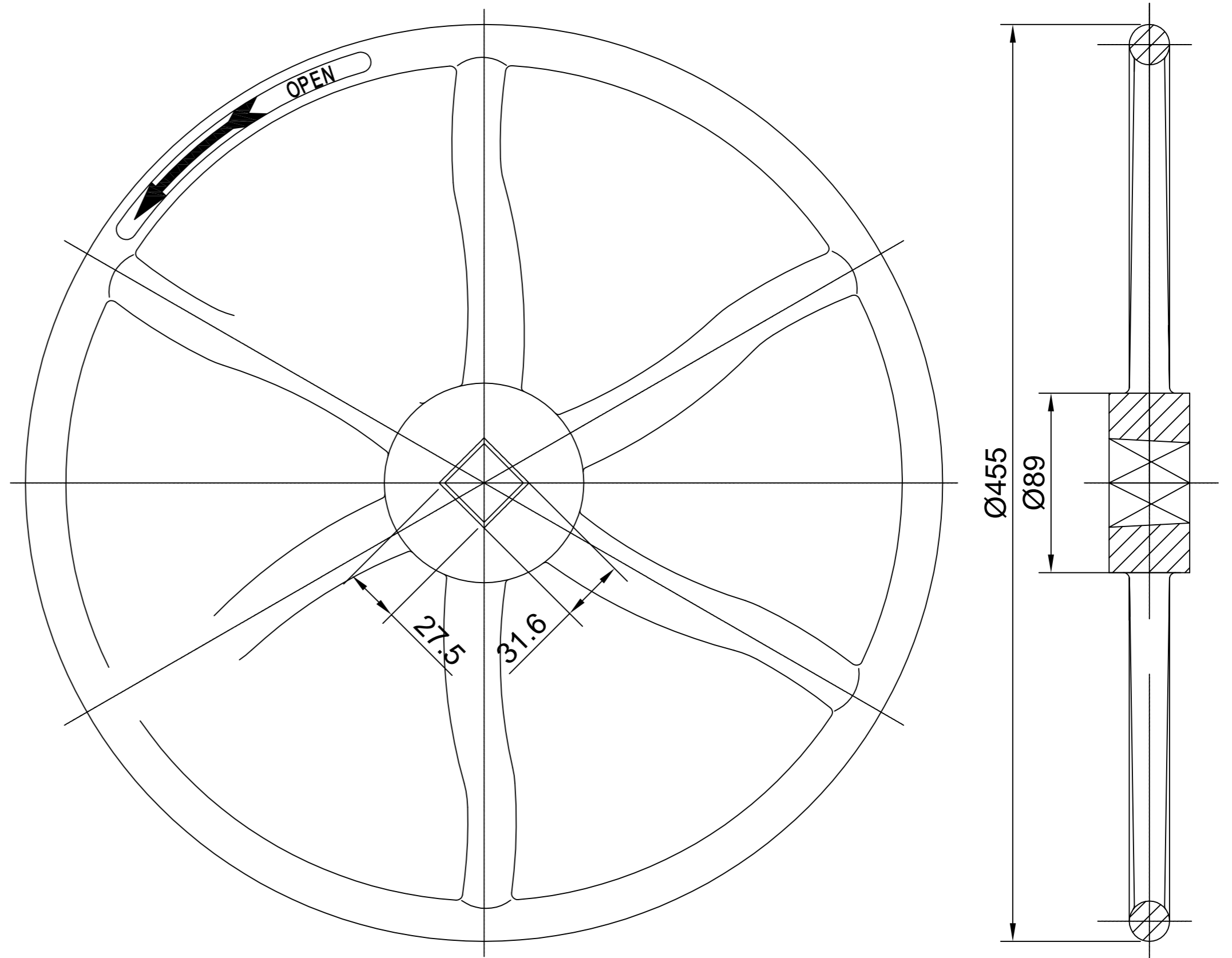
For size 3"- 80mm & 4"- 100mm



For size 6" - 150mm

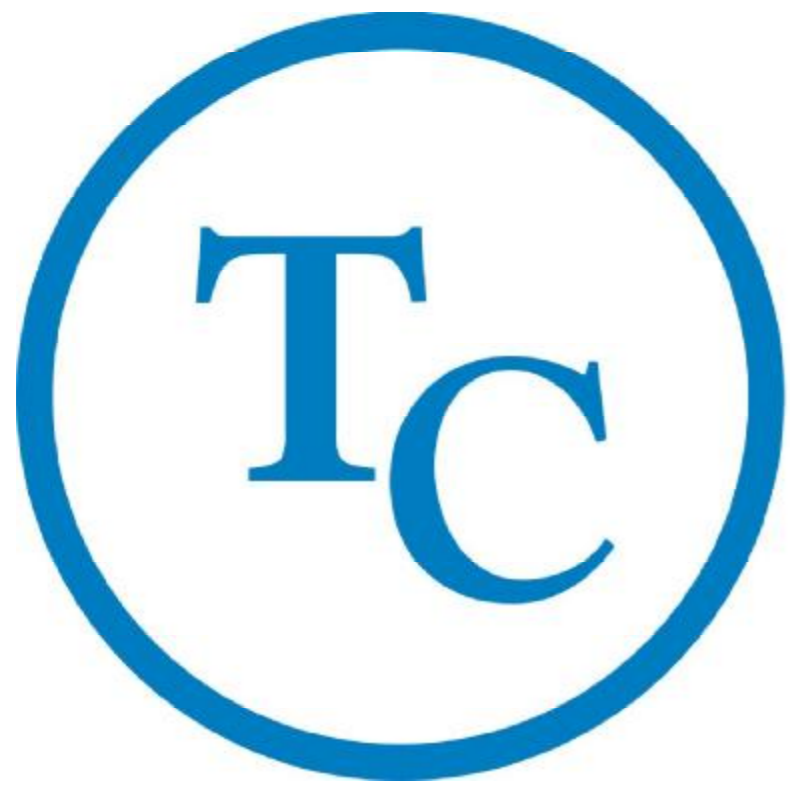


For size 8"- 200 mm



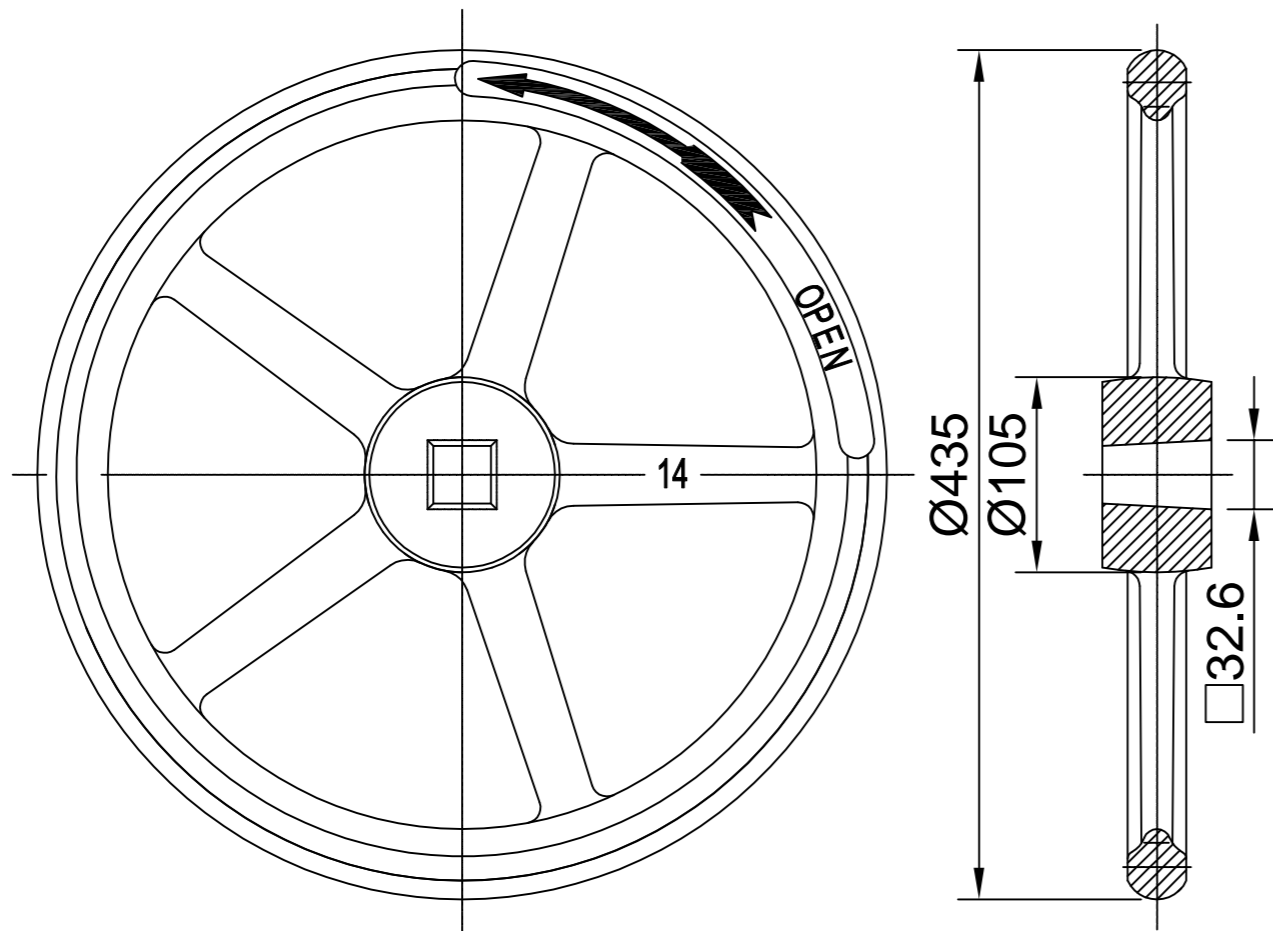
For size 10"-250mm & 12" 300 mm

DRAWN BY	Cui.F.G	 Terminal City Iron Works Ltd.	HANDWHEEL FOR C509 GATE VALVE	
CHECKED BY	Cuo.F.T		SIZE	DRG NO.
APPROVED BY	Zhang.H.T		DN50-DN300	REV
		SCALE :	FUSION BONDED EPOXY-NSF 61-AWWA C550	MAY 9 /2018

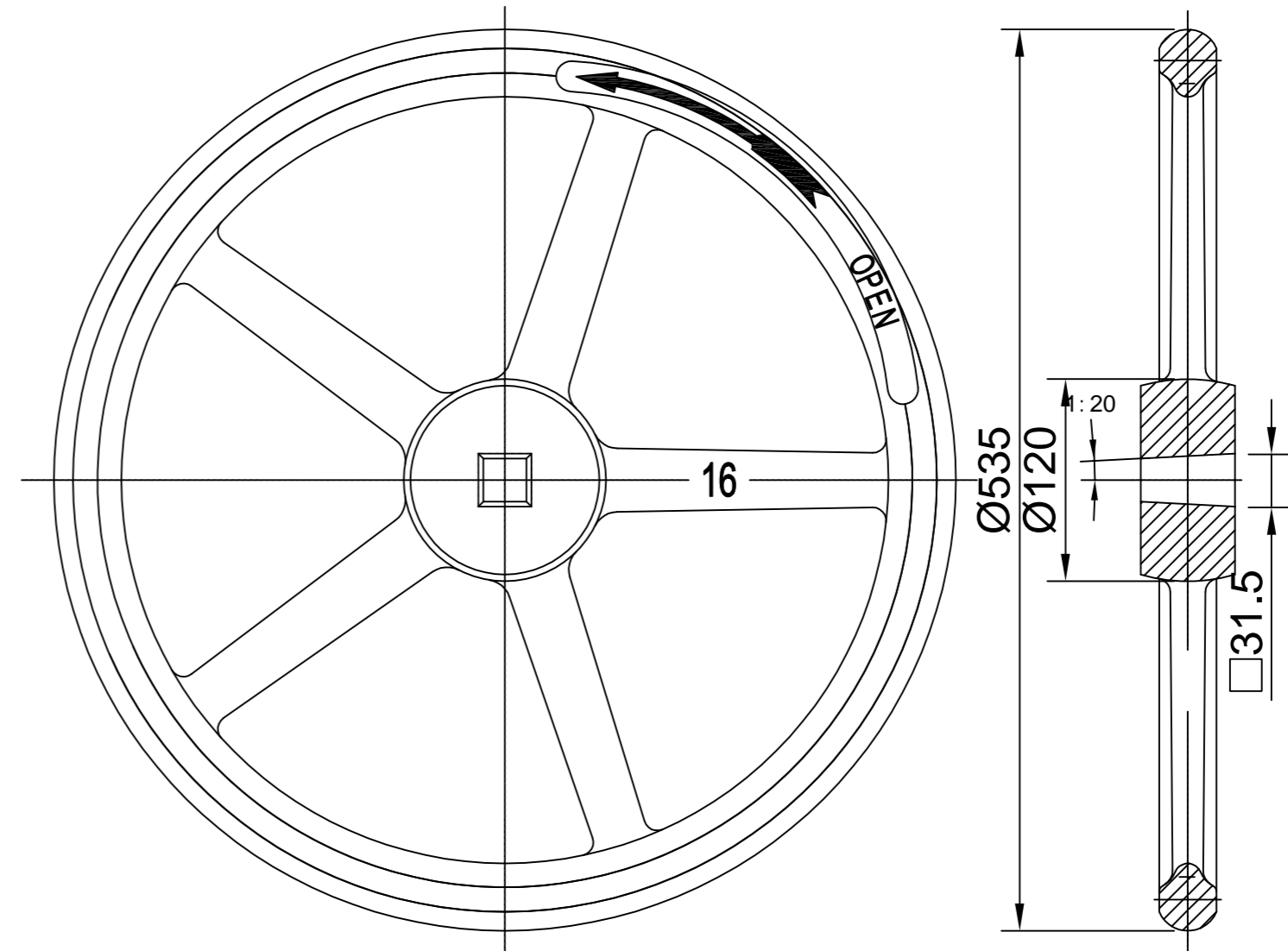


Terminal City Iron Works Ltd.

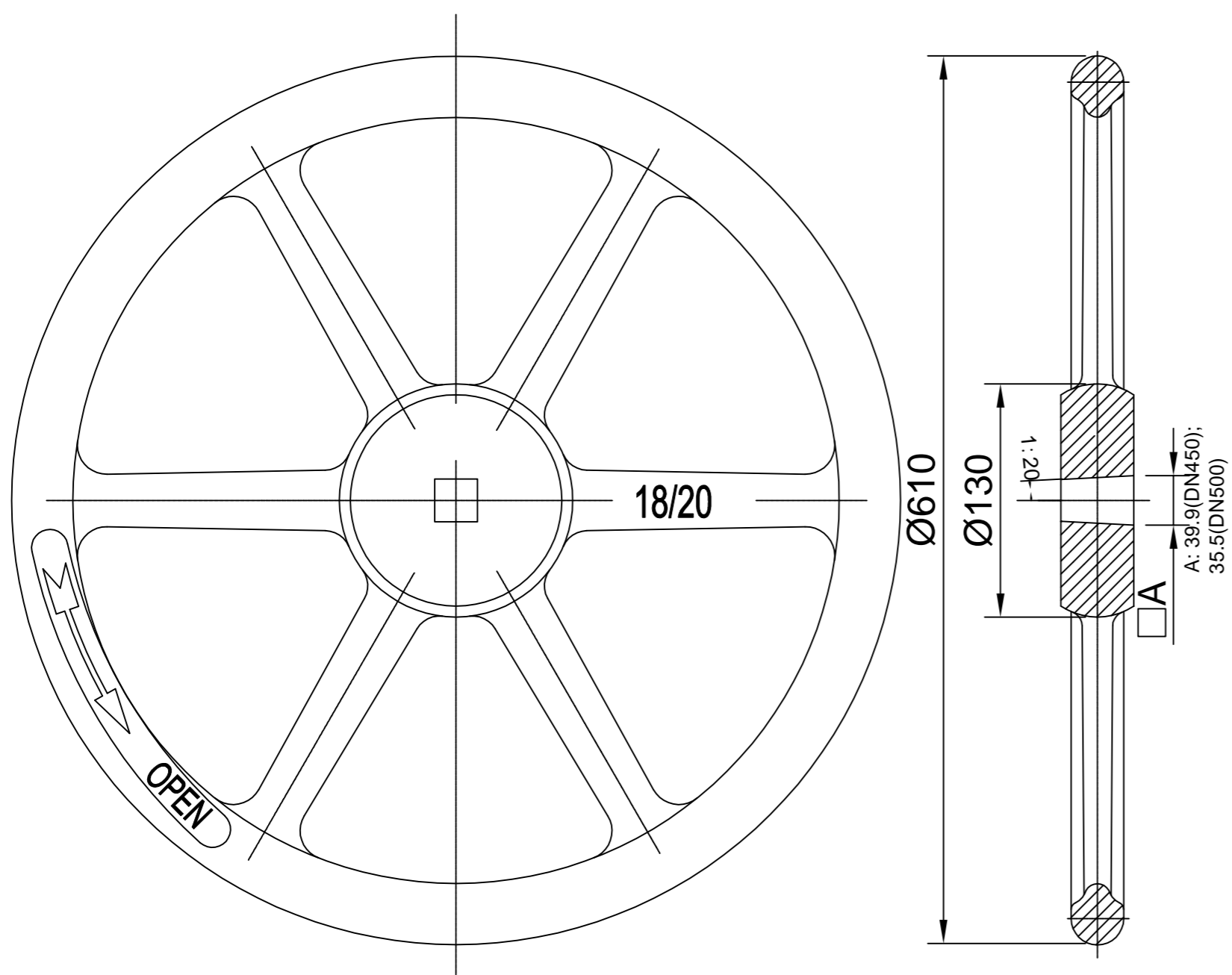
#3 - 9494 198TH STREET, LANGLE, BC V1M 3C8
 LANGLEY TEL:604-513-3800 FAX:604-513-3811
 CASSIDY TEL:250-245-0544 FAX:250-245-5135
 CALGARY TEL:403-253-7348 FAX:403-255-0690



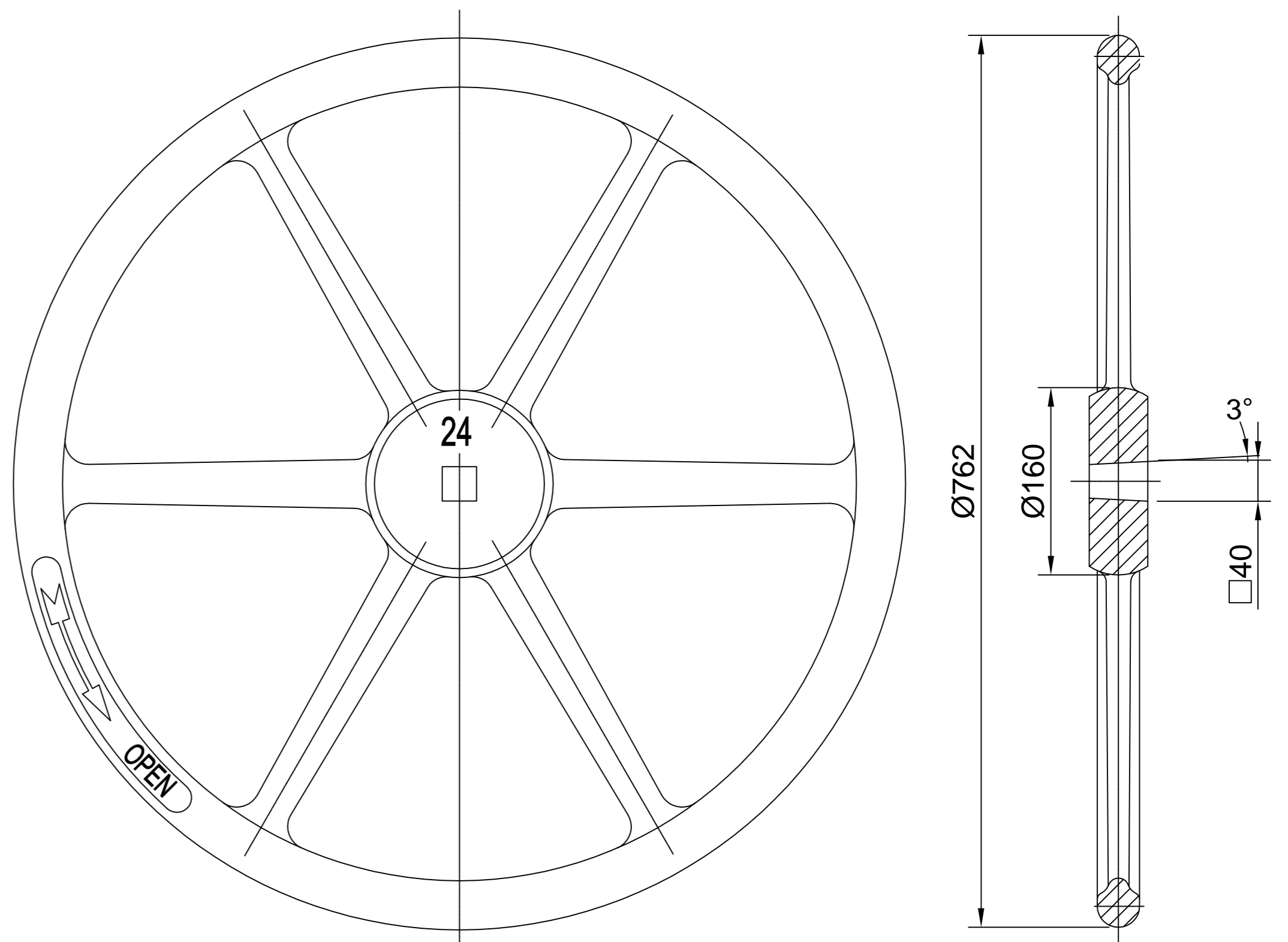
For size 14"- 350mm



For size 16"- 400mm



For size 18"- 450mm-20"-500mm



For size 24"- 600mm

DRAWN BY	Cui.F.G	 Terminal City Iron Works Ltd.	HANDWHEEL FOR C509 GATE VALVE	
CHECKED BY	Cuo.F.T		SIZE	DRG NO.
APPROVED BY	Zhang.H.T		DN350-DN600	
SCALE :		FUSION BONDED EPOXY-NSF 61-AWWA C550		