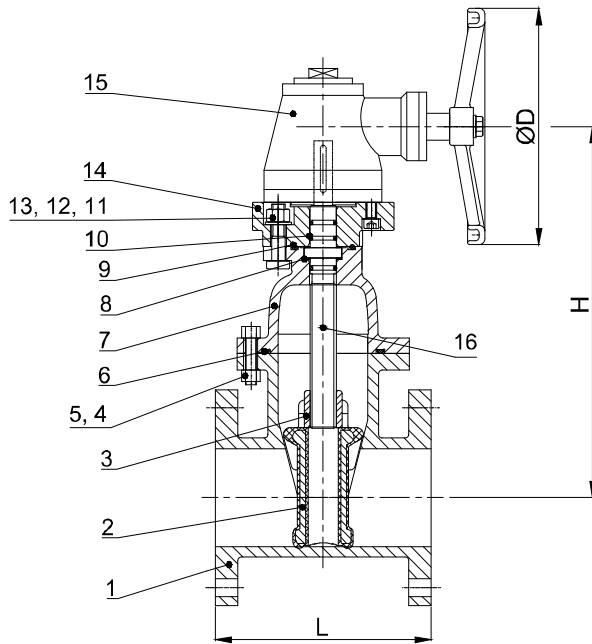




# Terminal City Iron Works Ltd.



### Dimensions

Size	4"	6"	8"	10"
L	229	267	292	330
H	377	467	565	653
D	255	255	305	305
Gear Ratio	2:1	2.6:1	2.6:1	3:1

### Material Specifications

Item	Description	Material	ASTM Spec.
1	Body	Ductile Iron	A536 65-45-12
2	Wedge	EPDM Encapsulated Ductile Iron	A536 65-45-12
3	Stem Nut	Bronze	B148 C95200
4	Bolt	Stainless Steel	F593 Type 304SS
5	Nut	Stainless Steel	A276 Type 316SS
6	Gasket	Rubber	D2000 EPDM
7	Bonnet	Ductile Iron	A536 65-45-12
8	Washer	Brass	B124 C37700
9	O-Ring	Rubber	D2000 NBR
10	O-Ring	Rubber	D2000 NBR
11	Bolt	Stainless Steel	F593 Type 304SS
12	Nut	Stainless Steel	A276 Type 316SS
13	Washer	Stainless Steel	A276 Type 304SS
14	Gland	Ductile Iron	A536 65-45-12
15	Bevel Gear	Assembly	
16	Stem	Stainless Steel	A276 Type 304SS



Terminal City Iron Works Ltd.

### AWWA C509 Assembly Drawing NRS Gate Valve

DRG NO.

3500 Series NRS FL x FL (4"-10")

REV

A

FUSION BONDED EPOXY-NSF 61-AWWA C550